

## auto electrical parts

### Technical Information Sheet

#### Part No. 0-642-28

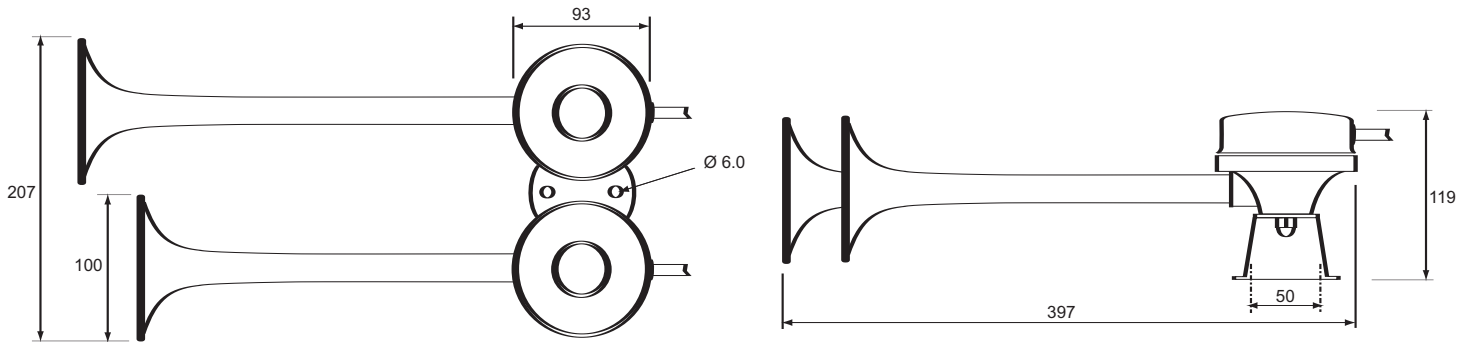
Twin electric trumpet horns, 24 volt. Black ABS body and trumpet with steel bracket and red covers. Pre-wired and supplied with relay. ECE approved.

#### Additional Information

The unit is supplied with two 6 x 15mm bolts and a relay. The horn circuit should be protected by a 10 amp fuse.



#### Technical Drawing (not to scale)



#### Specification

Type	Commercial electric trumpet horn
Voltage	24 volt dc
Current	8 amp
Sound level	115 dB(A)
Frequency	390 - 440 Hz
Horn material	ABS
Weight	1.54Kg
Dimensions	l 397 x w 207 x h 119mm
Approvals	ECE approved (E3 50200 e3)

The information contained in this document is correct to the best of our knowledge at the time of printing. However, specifications may change at any time without notice.